

EasyPalletizer



EasyRobotics®
- we move your parts

EasyPalletizer

The EasyPalletizer, is a platform designed for the purpose of making palletizing easy and mobile inside a factory.

EasyPalletizer is a stationary palletizing robot for loading pallets with cartons, boxes or workpieces. The system is placed next to the conveyor belt. During the operation, robot automatically grabs cartons or workpieces from the conveyor, and then, depending on the installed program, puts it down on a pallet in accordance with the customer's requirements.

The EasyPalletizer can be equipped with robotarm from several manufacturers as well as 835 and 1200 .

EasyPalettizer can simultaneously work with two pallets. Pallet detection sensors, placed on 2 sides of the loading station, ensure correct docking of pallet before starting palletizing.

Push buttons:

- Above each lamp bulk there is a push button for each side of operation. It can be installed as a "reset" function or can activate function of the pallet.

Multipurpose lamps and ethernet plug

- At the front of the EasyPalletizer are two I/O connectable multipurpose lamps (with multiple configurable colors).

Pallet detection

- The EasyPalletize consist of four detection pins on each pallet site which ensure correct docking of pallet before starting palletizing. By the functionality loading stability is ensured as well as a safe operation stabling the components.

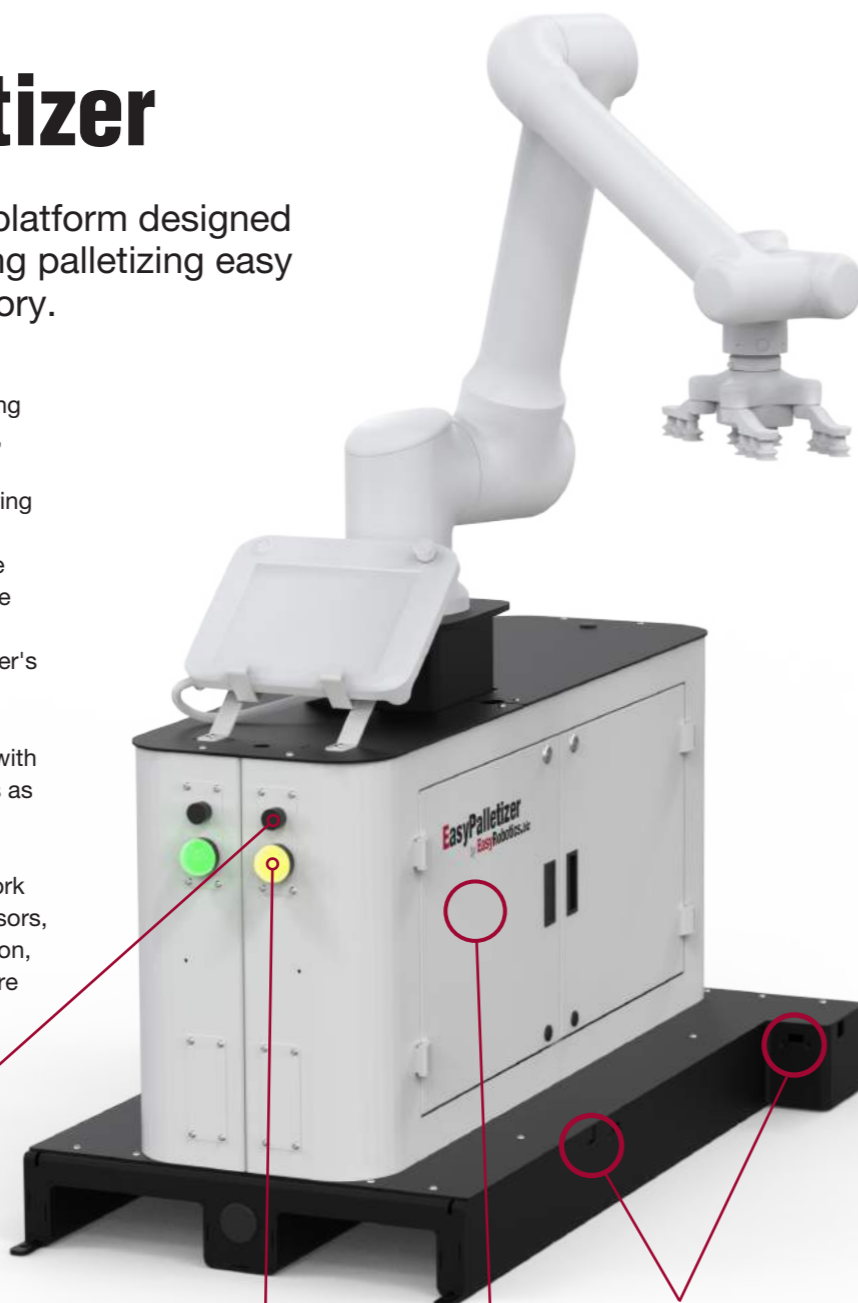
Automatic solution

- When one pallet is completely loaded, the robot automatically starts to process another one. Then the finished pallet can be removed, and a new one can be placed in the EasyPalettizer. Meanwhile the robot can continue its work.

Function:

There are several applications which make the Palletizer the right choice to the industry;

1. Floor level palletizing.
2. Load transfer stations to mobile robots form conveyor or other fixed units.
3. Unload/load transfer systems.
4. Dual palletizing system.



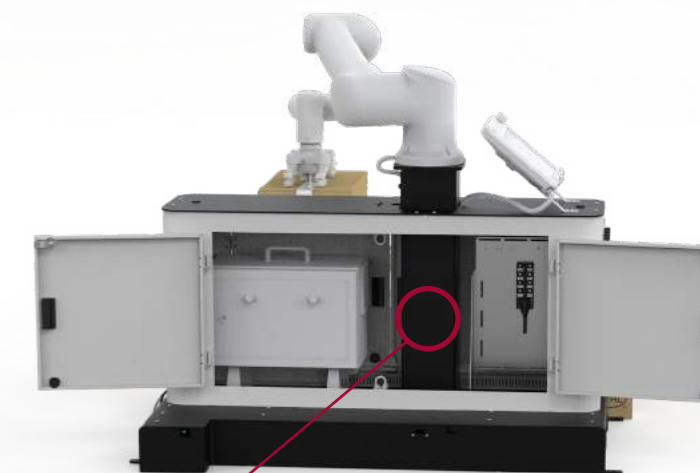
Applications

There are several applications which make the Palletizer the right choice to the industry;

- Floor level palletizing,
- Load transfer stations to mobile robots form conveyor or other fixed units.
- Unload/load transfer systems
- Dual palletizing system.

EasyRobotics understands the industrial requirement of palletization with a collaborative robot arm. Robots are fast and help to improve the quality of packaging.

Additionally, they not only make palletizing and packaging of goods more systematic, which is important in the reduction of storage costs, but also ensure a clean packing process, especially essential for food and pharma goods.



Delivery options

The standard Palletizer can be delivered:

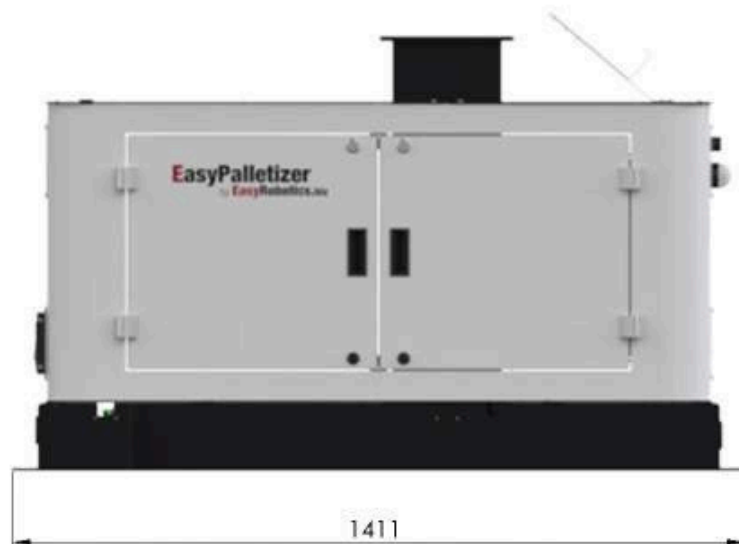
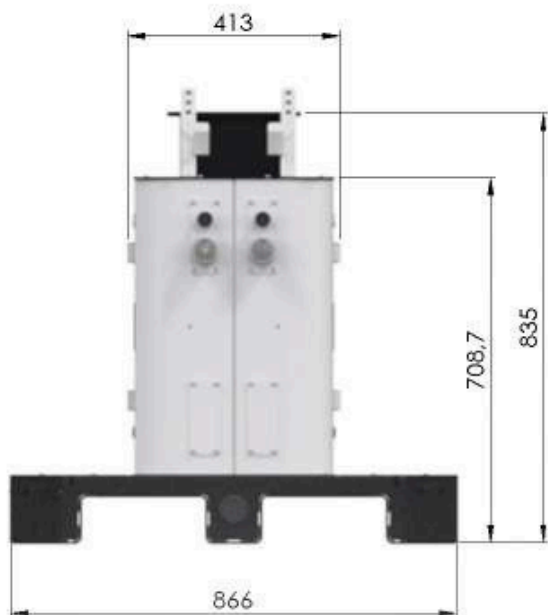
1. Without pedestal.
2. With pedestal.

Controller compartment

- EasyPalletizer has a lot of space inside the controller compartment, that is used to protect the robot-arm controller from external influences. There is a components plate for mounting of products inside console, like communication, air equipment etc.

BENEFITS

- Automatic and robotic palletizers have many qualities that elevate them above manual palletizers.
- Load stability.
- Precision.
- Operation speed.
- Safe movement of boxes.
- Fewer associated worker injuries.
- Moving packaged units much easier, safer and less labor intensive.
- Movable palletizing cell with fast mechanical setup with a pallet jack.
- Flexibility for manufacturing.
- Capex optimized.



Product order overview

PT-1010	Palletizer Two Base	H: 710 mm, W: 870, L: 1350, Wt: 195 kg, For 2 pallets with 4 sensors and 2 configurable LED-lights, Extender Kit
PT-1011	Palletizer Two with fixed pedestal 835mm	H: 835 mm, W: 870, L: 1350, Wt: 215 kg, For 2 pallets with 4 sensors and 2 configurable LED-lights, Fixed pedestal, Extender Kit
PT-1013	Palletizer Two with fixed pedestal 1200mm	H: 1200 mm, W: 870, L: 1350, Wt: 220 kg, For 2 pallets with 4 sensors and 2 configurable LED-lights, Fixed pedestal, Extender Kit
PT-1010-SST	Palletizer Two Base Stainless Steel	H: 710 mm, W: 870, L: 1350, Wt: 195 kg, For 2 pallets with 4 sensors and 2 configurable LED-lights, Extender Kit, AISI304
PT-1011-SST	Palletizer Two with fixed pedestal 835mm Stainless Steel	H: 835 mm, W: 870, L: 1350, Wt: 215 kg, For 2 pallets with 4 sensors and 2 configurable LED-lights, Fixed pedestal, Extender Kit, AISI304
PT-1013-SST	Palletizer Two with fixed pedestal 1200mm Stainless Steel	H: 835 mm, W: 870, L: 1350, Wt: 220 kg, For 2 pallets with 4 sensors and 2 configurable LED-lights, Fixed pedestal, Extender Kit, AISI304

Danish manufacturer and supplier of robotic cells for all types of automation.

EasyRobotics®
- we move your parts

EasyRobotics ApS
Tinggårdvej 1, 6400
Sønderborg, Denmark
Phone: +45 31 25 06 02
info@easyrobotics.dk
www.easyrobotics.biz

